

1/5/2024 8:33 AM
z:\projects\croft_lic\fbcr-23-1126-fbc-submittal-nami update\dwg\FD28822\CRF021_fbc23.dwg

CROFT, LLC.

SERIES 31 HORIZONTAL SLIDING WINDOW (NON-HVHZ)(NON-IMPACT)



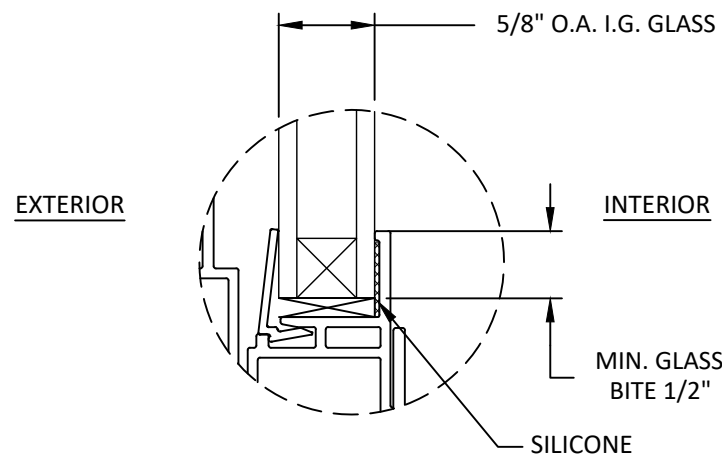
1800 NORTH CLARK AVE.
MAGNOLIA, MS 39652
PH.: 601-684-6121 FX: 601-783-3188

TITLE: **SERIES 31
HORIZONTAL SLIDING WINDOW
(NON-HVHZ)(NON-IMPACT)**
GENERAL NOTES & GLAZING DETAIL

PREPARED BY: **BUILDING DROPS, INC.**
1900 NE MIAMI CT UNIT 2-15
MIAMI, FL 33132
PH: (954)399-8478
FAX: (954)744-4738
WEB: www.buildingdrops.com

GENERAL NOTES:

- THE PRODUCT SHOWN HEREIN IS DESIGNED AND MANUFACTURED TO COMPLY WITH THE CURRENT EDITION FLORIDA BUILDING CODE (FBC), EXCLUDING HVHZ AND HAS BEEN EVALUATED ACCORDING TO THE FOLLOWING:
 - AAMA/WDMA/CSA 101/I.S.2/A440-08
- ADEQUACY OF THE EXISTING STRUCTURAL CONCRETE/MASONRY, 2X FRAMING, AND METAL FRAMING AS A MAIN WIND FORCE RESISTING SYSTEM CAPABLE OF WITHSTANDING AND TRANSFERRING APPLIED PRODUCT LOADS TO THE FOUNDATION IS THE RESPONSIBILITY OF THE ENGINEER OR ARCHITECT OF RECORD FOR THE PROJECT OF INSTALLATION.
- 1X AND 2X BUCKS (WHEN USED) SHALL BE DESIGNED AND ANCHORED TO PROPERLY TRANSFER ALL LOADS TO THE STRUCTURE. BUCK DESIGN AND INSTALLATION IS THE RESPONSIBILITY OF THE ENGINEER OR ARCHITECT OF RECORD FOR THE PROJECT OF INSTALLATION.
- THE INSTALLATION DETAILS DESCRIBED HEREIN ARE GENERIC AND MAY NOT REFLECT ACTUAL CONDITIONS FOR A SPECIFIC SITE. IF SITE CONDITIONS CAUSE INSTALLATION TO DEVIATE FROM THE REQUIREMENTS DETAILED HEREIN, A LICENSED ENGINEER OR ARCHITECT SHALL PREPARE SITE SPECIFIC DOCUMENTS FOR USE WITH THIS DOCUMENT IN NON-HVHZ AREAS.
- APPROVED IMPACT PROTECTIVE SYSTEM **IS REQUIRED** ON THIS PRODUCT IN AREAS REQUIRING IMPACT RESISTANCE.
- WINDOW FRAME MATERIAL: PVC
- GLASS SHALL MEET THE REQUIREMENTS OF ASTM E 1300. SEE SHEET 1 FOR GLAZING DETAILS.



GLAZING DETAIL

GLAZING NOTES:

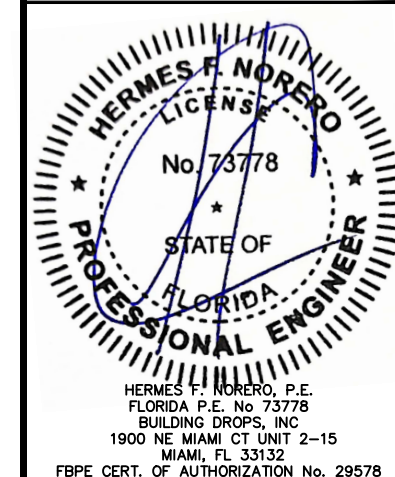
- GLASS TYPE & THICKNESS SHALL COMPLY WITH ASTM E1300 REQUIREMENTS AS WELL AS APPLICABLE SAFETY GLAZING REQUIREMENTS PER THE FBC. TEMPER AND SAFETY GLAZING REQUIREMENTS SHALL BE REVIEWED ON A SITE SPECIFIC BASIS.
- SETTING BLOCK DUROMETER HARDNESS OF 70-90 (SHORE A) AS REFERENCED IN FBC CHAPTER 24.
- SETTING BLOCKS TO BE LOCATED AT 1/4 SPAN LENGTH FOR GLASS WIDER THAN 36" AS PER FBC CHAPTER 24.
- D.L.O. AND DESIGN PRESSURES MAY NOT EXCEED MAX VALUES IN DESIGN PRESSURE TABLE ON SHEET 1.

TABLE OF CONTENTS	
SHEET	SHEET DESCRIPTION
1	GENERAL NOTES & GLAZING DETAIL
2	ELEVATION & ANCHOR LAYOUT
3	VERTICAL SECTIONS
4	HORIZONTAL SECTION
5	ANCHOR DETAILS, INSTALLATION NOTES & REINFORCEMENT DETAILS

MAX OVERALL SIZE		MAX SASH SIZE		MAX D.L.O. SIZE		CONFIG.	DESIGN PRESSURE	MISSILE IMPACT RATING
WIDTH	HEIGHT	WIDTH	HEIGHT	WIDTH	HEIGHT			
72"	44"	35.25"	41.63"	32.25"	39"	OX	+20.0 / -20.0 PSF	NON IMPACT

REMARKS	BY	DATE

THE INSTALLATION DETAILS DESCRIBED HEREIN ARE GENERIC AND MAY NOT REFLECT ACTUAL CONDITIONS FOR A SPECIFIC SITE. IF SITE CONDITIONS CAUSE INSTALLATION TO DEVIATE FROM THE REQUIREMENTS DETAILED HEREIN, A LICENSED ENGINEER OR ARCHITECT SHALL PREPARE SITE SPECIFIC DOCUMENTS FOR USE WITH THIS DOCUMENT.



FL #: **FL28822**

DATE: **01.11.19**

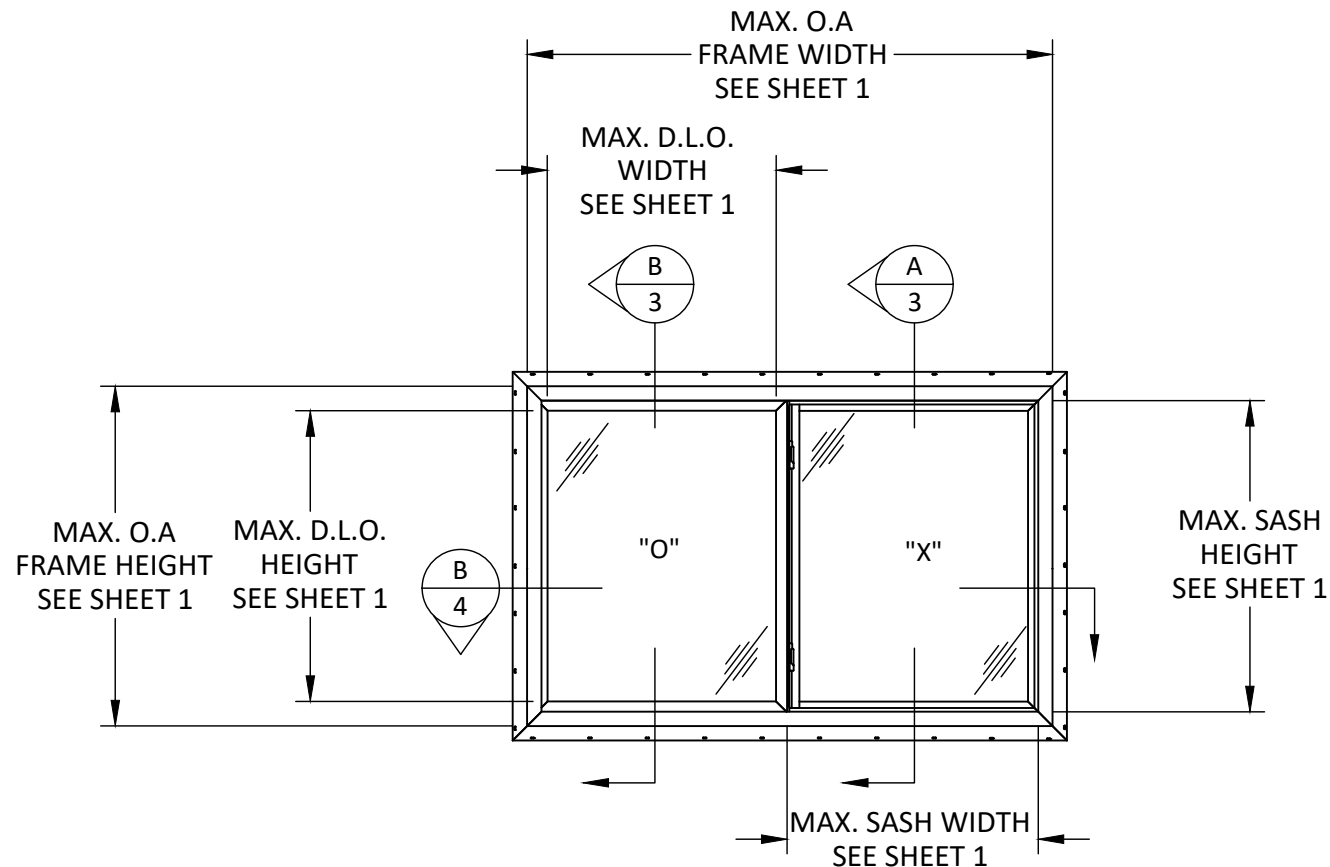
DWG. BY: **HR** CHK. BY: **HFN**

SCALE: **NTS**

DWG. #: **CRF021**

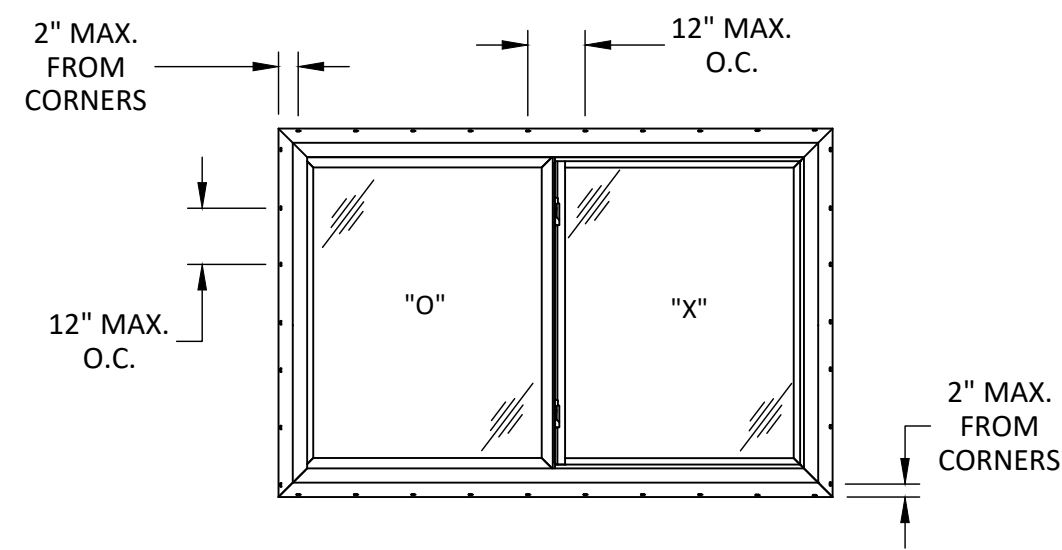
SHEET

1/5/2024 8:33 AM
 z:\projects\crof.lic\bc-23-1126 - fbc submittal - nami update\dwg\F28822\CRF021.fbc23.dwg



ELEVATION

HORIZONTAL SLIDING WINDOW



ANCHOR LAYOUT

NAIL FIN - HORIZONTAL SLIDING WINDOW



1800 NORTH CLARK AVE.
 MAGNOLIA, MS 39652
 PH.: 601-684-6121 FX: 601-783-3188

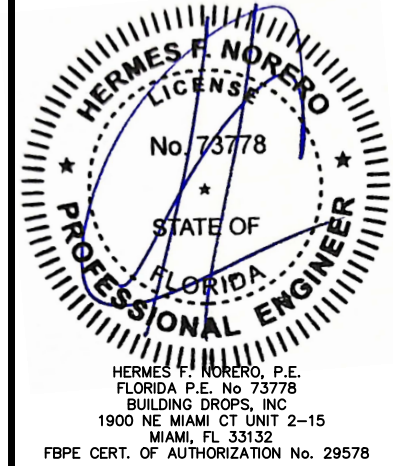
TITLE: **SERIES 31**
HORIZONTAL SLIDING WINDOW
(NON-HVHZ)/(NON-IMPACT)
 ELEVATIONS AND ANCHOR LAYOUT

PREPARED BY:
BUILDING DROPS, INC.
 1900 NE MIAMI CT UNIT 2-15
 MIAMI, FL 33132
 PH: (954)399-8478
 FAX: (954)744-4738
 WEB: www.buildingdrops.com



REMARKS	BY	DATE

THE INSTALLATION DETAILS DESCRIBED HEREIN ARE GENERIC AND MAY NOT REFLECT ACTUAL CONDITIONS FOR A SPECIFIC SITE. IF SITE CONDITIONS CAUSE INSTALLATION TO DEVIATE FROM THE REQUIREMENTS DETAILED HEREIN, A LICENSED ENGINEER OR ARCHITECT SHALL PREPARE SITE SPECIFIC DOCUMENTS FOR USE WITH THIS DOCUMENT.



FL #: **FL28822**

DATE: **01.11.19**

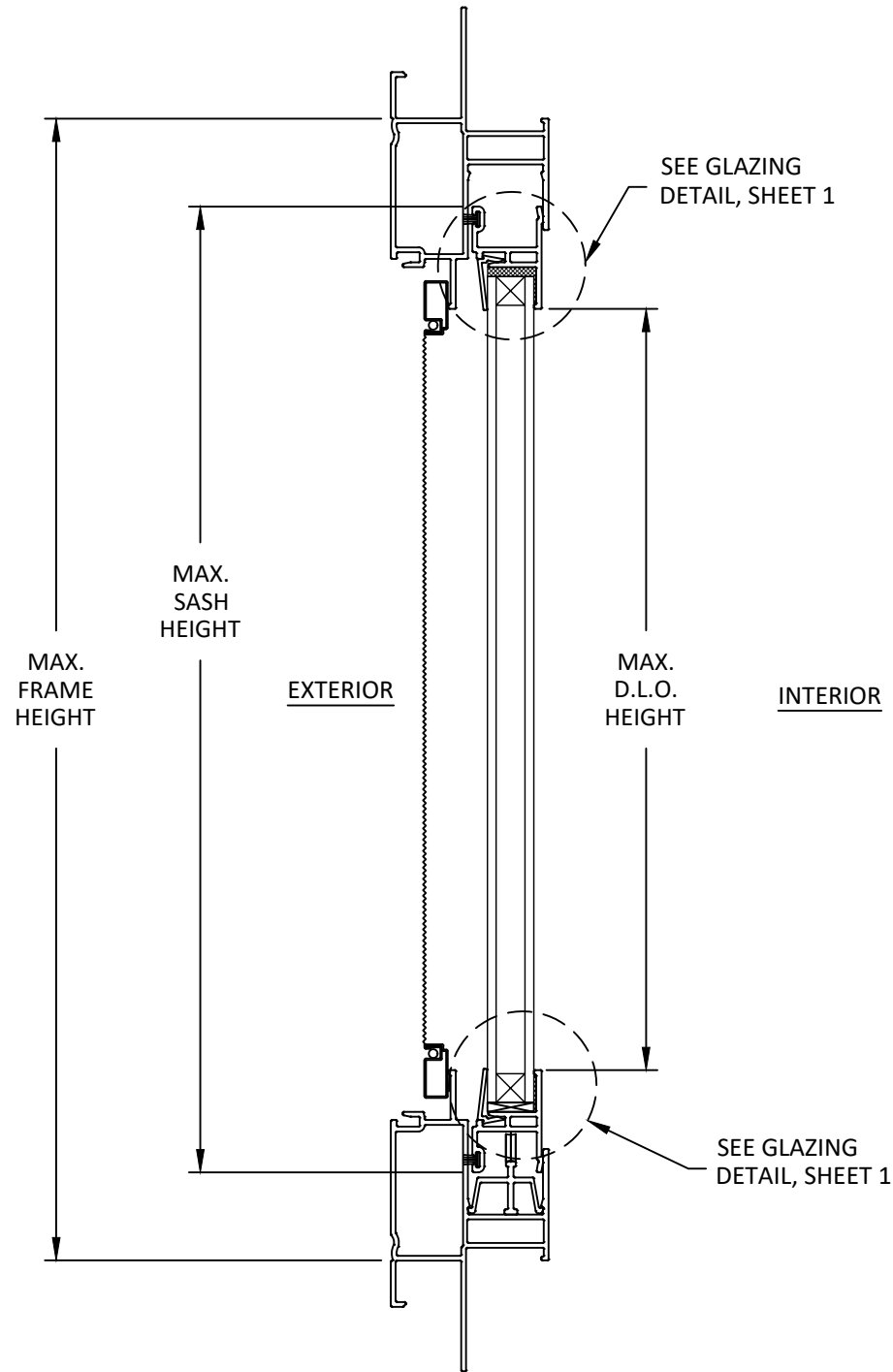
DWG. BY: **HR** CHK. BY: **HFN**

SCALE: **NTS**

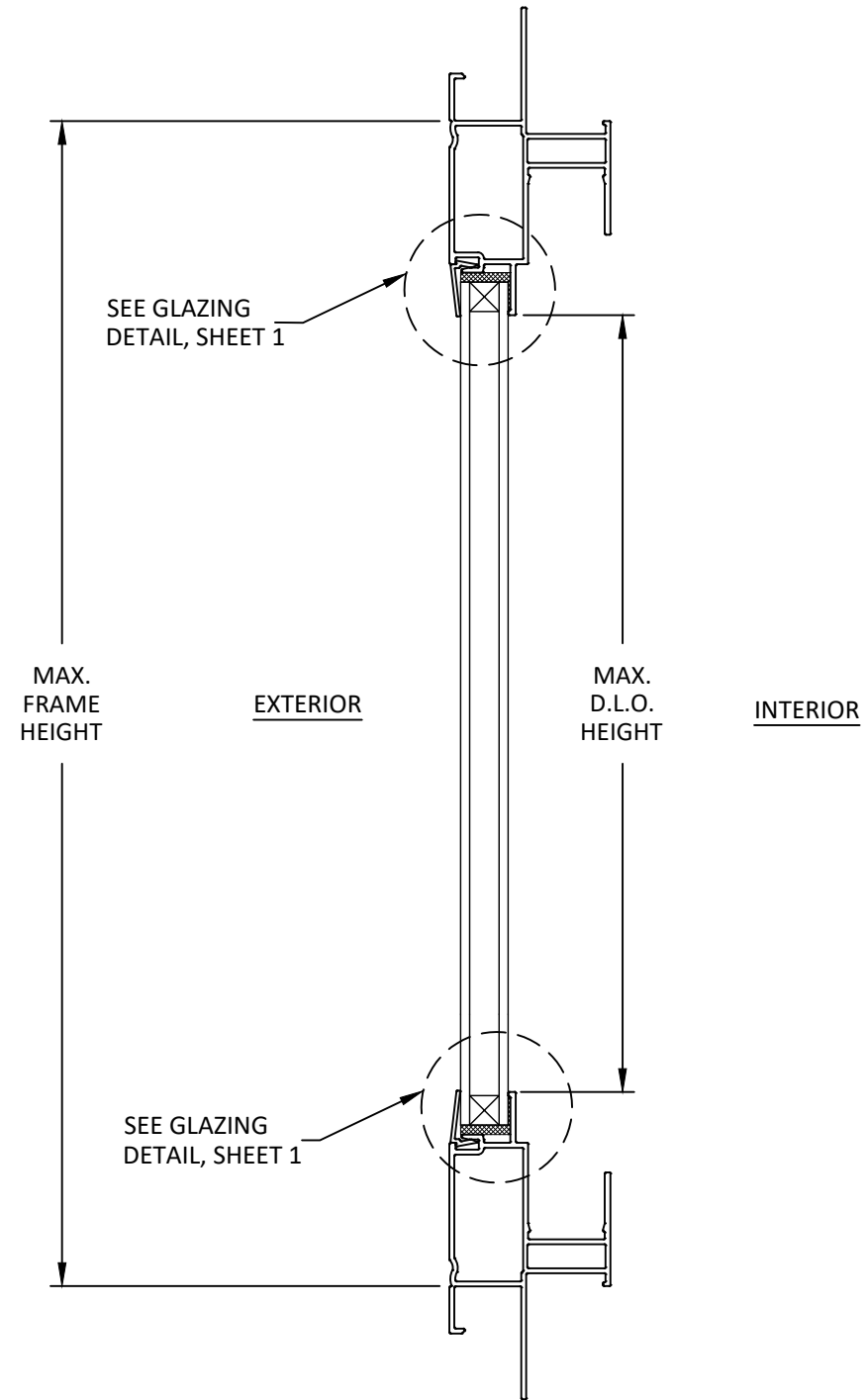
DWG. #: **CRF021**

SHEET
2

1/5/2024 8:33 AM
 z:\projects\crof\crof\1126-fbc-submittal-nami-update\dwg\128822\crf021-fbc23.dwg



A
3
VERTICAL SECTION
 NAIL FIN INSTALLATION - OPERABLE PANEL



B
3
VERTICAL SECTION
 NAIL FIN INSTALLATION - STATIONARY PANEL



1800 NORTH CLARK AVE.
 MAGNOLIA, MS 39652
 PH.: 601-684-6121 FX: 601-783-3188

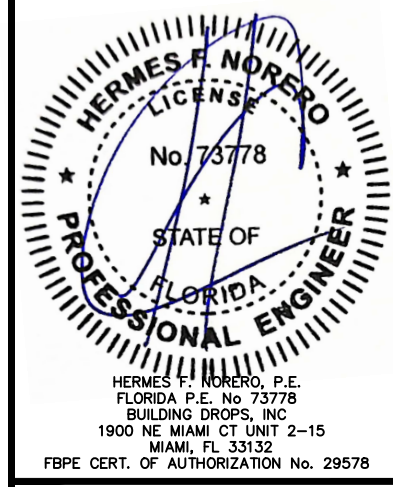
TITLE:
SERIES 31
HORIZONTAL SLIDING WINDOW
(NON-HVHZ)/(NON-IMPACT)
 VERTICAL SECTIONS

PREPARED BY:
BUILDING DROPS, INC.
 1900 NE MIAMI CT UNIT 2-15
 MIAMI, FL 33132
 PH: (954) 399-8478
 FAX: (954) 744-4738
 WEB: www.buildingdrops.com



REMARKS	BY	DATE

THE INSTALLATION DETAILS DESCRIBED HEREIN ARE GENERIC AND MAY NOT REFLECT ACTUAL CONDITIONS FOR A SPECIFIC SITE. IF SITE CONDITIONS CAUSE INSTALLATION TO DEVIATE FROM THE REQUIREMENTS DETAILED HEREIN, A LICENSED ENGINEER OR ARCHITECT SHALL PREPARE SITE SPECIFIC DOCUMENTS FOR USE WITH THIS DOCUMENT.



FL #:
FL28822

DATE: **01.11.19**

DWG. BY: **HR** CHK. BY: **HFN**

SCALE: **NTS**

DWG. #: **CRF021**

SHEET
3

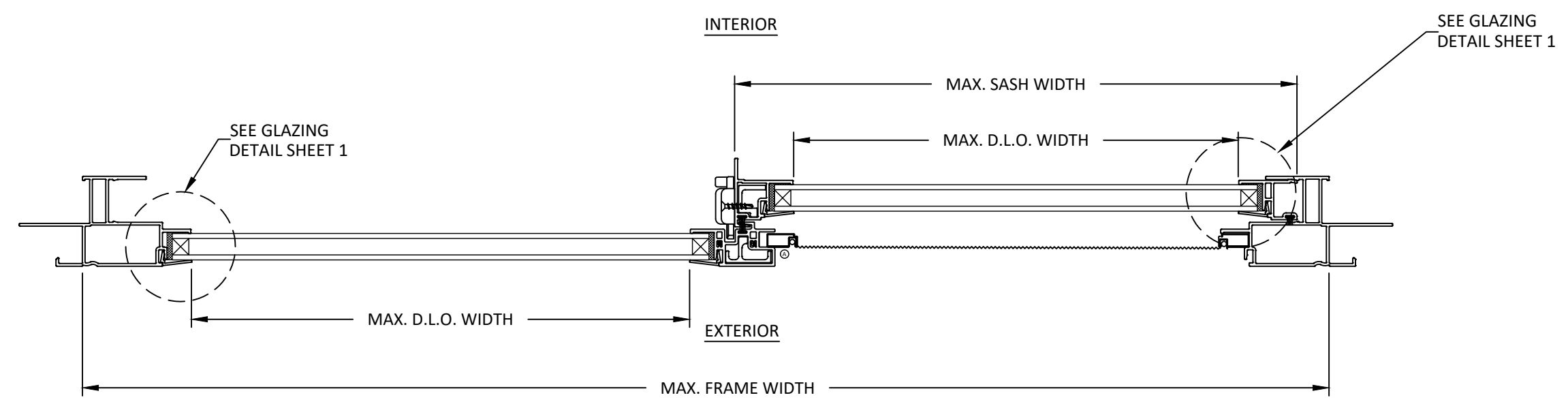
1/5/2024 8:33 AM
z:\projects\crof.lic\bc-23-1126 - fbc submittal - nami update\dwgs\128822\crf021.fbc23.dwg



1800 NORTH CLARK AVE.
MAGNOLIA, MS 39652
PH.: 601-684-6121 FX: 601-783-3188

TITLE:
SERIES 31
HORIZONTAL SLIDING WINDOW
(NON-HVHZ)/(NON-IMPACT)
HORIZONTAL SECTION

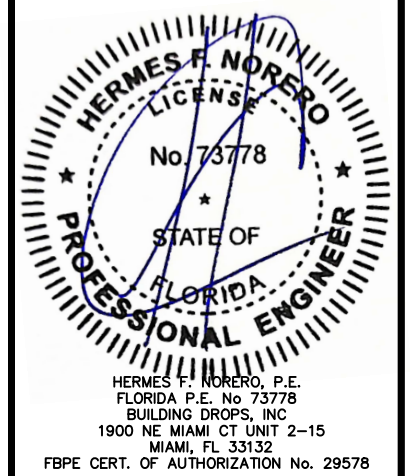
PREPARED BY:
BUILDING DROPS, INC.
1900 NE MIAMI CT UNIT 2-15
MIAMI, FL 33132
PH: (954) 399-8478
FAX: (954) 744-4738
WEB: www.buildingdrops.com



A
4 **HORIZONTAL SECTION**
NAIL FIN INSTALLATION

REMARKS	BY	DATE

THE INSTALLATION DETAILS DESCRIBED HEREIN ARE GENERIC AND MAY NOT REFLECT ACTUAL CONDITIONS FOR A SPECIFIC SITE. IF SITE CONDITIONS CAUSE INSTALLATION TO DEVIATE FROM THE REQUIREMENTS DETAILED HEREIN, A LICENSED ENGINEER OR ARCHITECT SHALL PREPARE SITE SPECIFIC DOCUMENTS FOR USE WITH THIS DOCUMENT.



HERMES F. NORERO, P.E.
FLORIDA P.E. No. 73778
BUILDING DROPS, INC.
1900 NE MIAMI CT UNIT 2-15
MIAMI, FL 33132
FBPE CERT. OF AUTHORIZATION No. 29578

FL #: **FL28822**

DATE: **01.11.19**

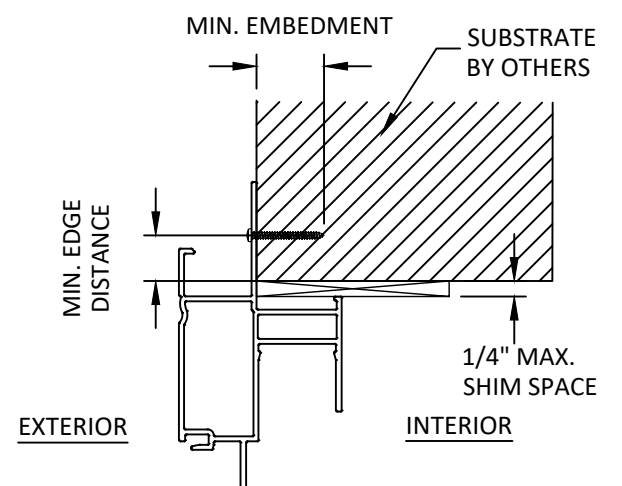
DWG. BY: **HR** CHK. BY: **HFN**

SCALE: **NTS**

DWG. #: **CRF021**

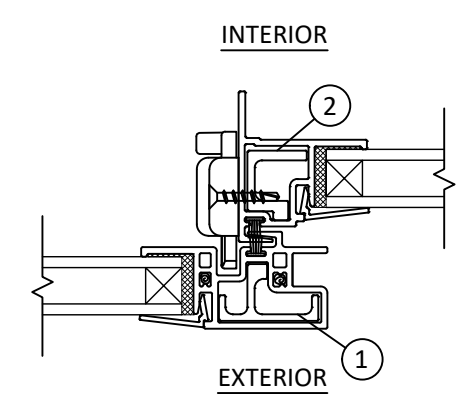
SHEET
4

1/5/2024 8:33 AM
z:\projects\crof\lic\fbc-23-1126 - fbc submittal - nami update\dwgs\fbc23-1126 - fbc submittal - nami update\fbc23.dwg



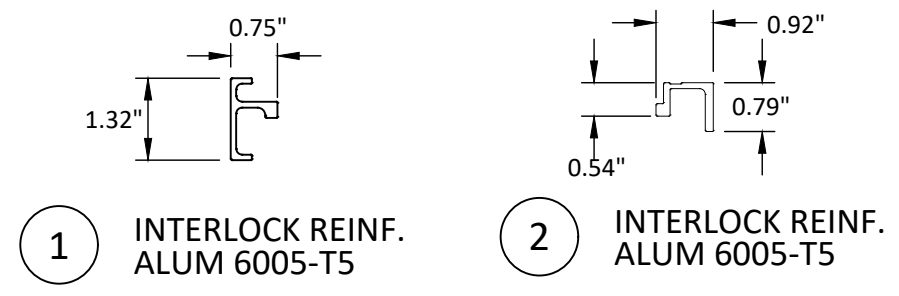
A
5 **VERTICAL SECTION**
NAIL FIN (HEAD)

JAMB AND SILL HAVE SIMILAR PROFILES



B
5 **HORIZONTAL SECTION**
INTERLOCK

REINFORCEMENT DETAILS



1 INTERLOCK REINF. ALUM 6005-T5

2 INTERLOCK REINF. ALUM 6005-T5

INSTALLATION NOTES:

- ONE (1) INSTALLATION ANCHOR IS REQUIRED AT EACH ANCHOR LOCATION SHOWN.
- THE NUMBER OF INSTALLATION ANCHORS DEPICTED IS THE MINIMUM NUMBER OF ANCHORS TO BE USED FOR PRODUCT INSTALLATION OF THE MAXIMUM SIZE LISTED.
- INSTALL INDIVIDUAL INSTALLATION ANCHORS WITHIN A TOLERANCE OF $\pm 1/2$ INCH THE DEPICTED LOCATION & SPACING IN THE ANCHOR LAYOUT DETAILS (I.E., WITHOUT CONSIDERATION OF TOLERANCES). TOLERANCES ARE NOT CUMULATIVE FROM ONE INSTALLATION ANCHOR TO THE NEXT.
- SHIM AS REQUIRED WITH LOAD BEARING SHIM(S) TO ACHIEVE A SQUARE AND PLUMB INSTALLATION. MAXIMUM ALLOWABLE SHIM STACK TO BE 1/4 INCH. SHIM WHERE SPACE OF 1/16 INCH OR GREATER OCCURS. SHIM(S) SHALL BE CONSTRUCTED OF HIGH DENSITY PLASTIC OR BETTER.
- MINIMUM EMBEDMENT AND EDGE DISTANCE EXCLUDE WALL FINISHES, INCLUDING BUT NOT LIMITED TO STUCCO, FOAM, BRICK VENEER, AND SIDING.
- INSTALLATION ANCHORS AND ASSOCIATED HARDWARE MUST BE MADE OF CORROSION RESISTANT MATERIAL OR HAVE A CORROSION RESISTANT COATING.
- INSTALLATION ANCHORS SHALL BE INSTALLED IN ACCORDANCE WITH ANCHOR MANUFACTURER'S INSTALLATION INSTRUCTIONS, AND ANCHORS SHALL NOT BE USED IN SUBSTRATES WITH STRENGTHS LESS THAN THE MINIMUM STRENGTH SPECIFIED BY THE ANCHOR MANUFACTURER.

ANCHOR SCHEDULE				
METHOD	SUBSTRATE	ANCHOR TYPE	MIN EMBEDMENT	MIN. EDGE DISTANCE
NAILING FIN	WOOD: MIN. SG = 0.55	#8 WOOD SCREW PAN HEAD	1.5"	0.75"
	METAL: 18 GAUGE Steel, MIN. Fy = 33KSI	#8 SMS OR SELF DRILLING SCREW	3 THREADS MIN PENETRATION BEYOND METAL	0.50"

Est. 1920
CROFT

1800 NORTH CLARK AVE.
MAGNOLIA, MS 39652
PH: 601-684-6121 FX: 601-783-3188

TITLE: SERIES 31 HORIZONTAL SLIDING WINDOW (NON-HVHZ)/(NON-IMPACT) ANCHOR DETAILS, INSTALLATION NOTES & REINFORCEMENT DETAILS

PREPARED BY: BUILDING DROPS, INC.
1900 NE MIAMI CT UNIT 2-15
MIAMI, FL 33132
PH: (954) 399-8478
FAX: (954) 744-4738
WEB: www.buildingdrops.com

BD
BUILDING DROPS

REMARKS	BY	DATE

THE INSTALLATION DETAILS DESCRIBED HEREIN ARE GENERIC AND MAY NOT REFLECT ACTUAL CONDITIONS FOR A SPECIFIC SITE. IF SITE CONDITIONS CAUSE INSTALLATION TO DEVIATE FROM THE REQUIREMENTS DETAILED HEREIN, A LICENSED ENGINEER OR ARCHITECT SHALL PREPARE SITE SPECIFIC DOCUMENTS FOR USE WITH THIS DOCUMENT.

HERMES F. NORERO
LICENSE
No. 73778
STATE OF
FLORIDA
PROFESSIONAL ENGINEER

HERMES F. NORERO, P.E.
FLORIDA P.E. No. 73778
BUILDING DROPS, INC.
1900 NE MIAMI CT UNIT 2-15
MIAMI, FL 33132
FBPE CERT. OF AUTHORIZATION No. 29578

FL #: **FL28822**

DATE: **01.11.19**

DWG. BY: HR	CHK. BY: HFN
-----------------------	------------------------

SCALE: **NTS**

DWG. #: **CRF021**

SHEET

5

OF 5